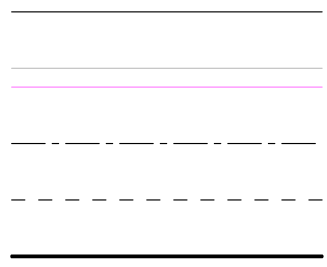
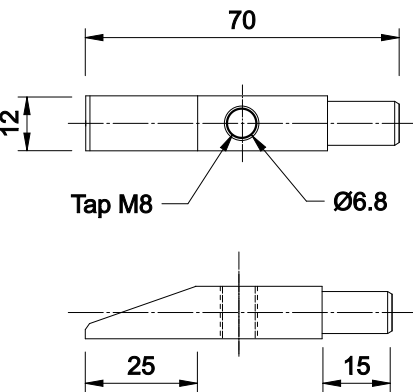


Part 1: Hammer Head



Standard Line

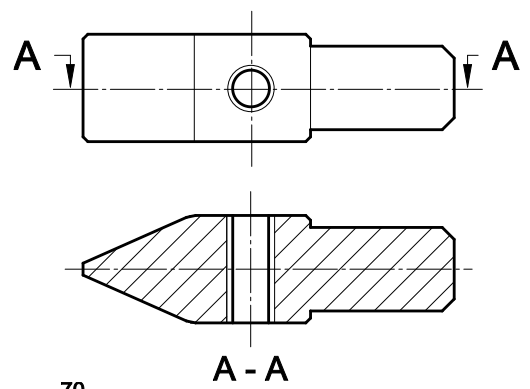
Projection Lines

Centre Line

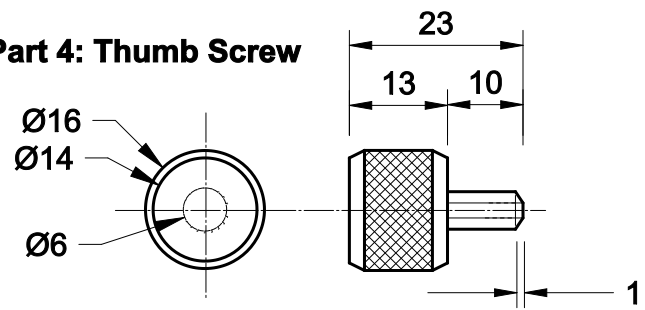
Hidden Detail Line

Object Line

Sectional View

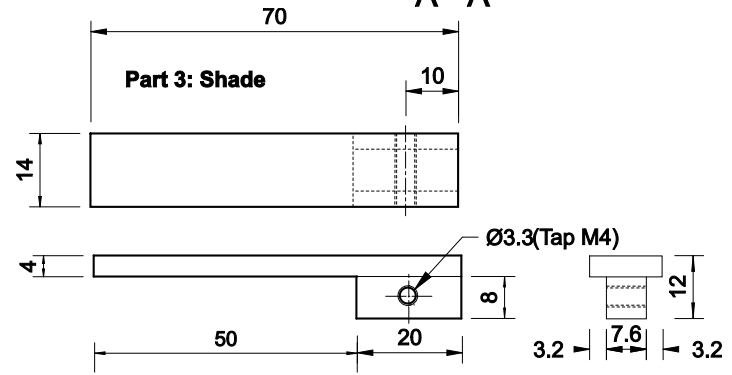


Part 4: Thumb Screw

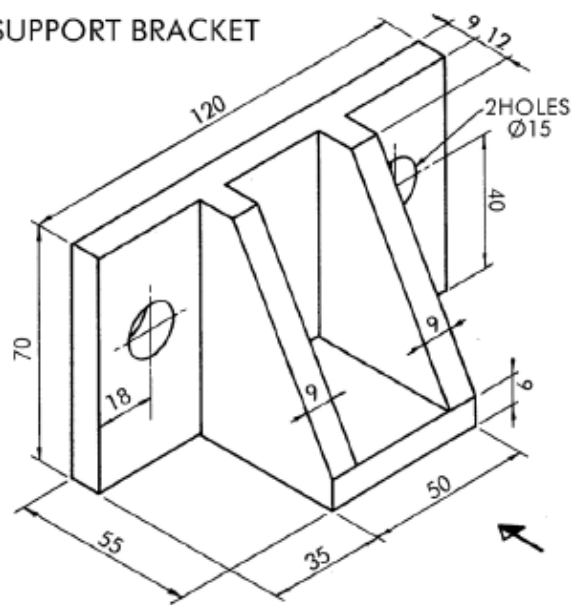


Drawing Knowledge Organiser

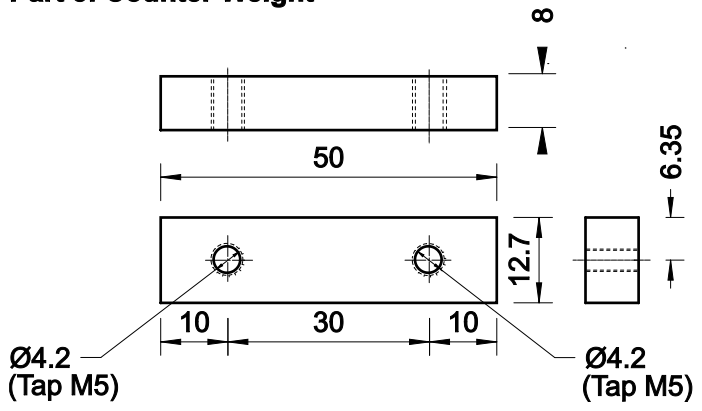
WJEC ENGINEERING



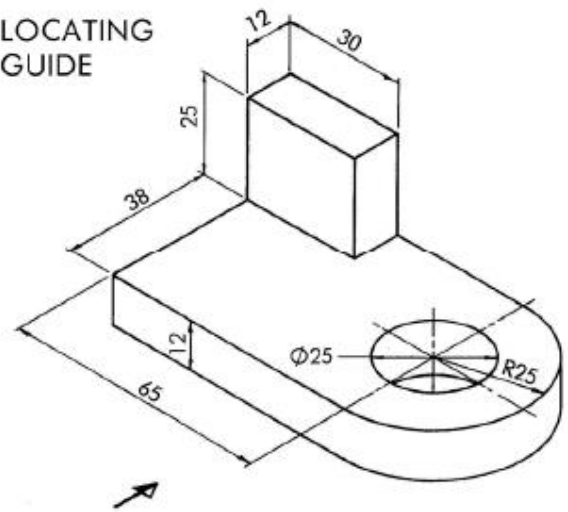
SUPPORT BRACKET



Part 5: Counter Weight



LOCATING GUIDE



Draw the hammer head in isometric

Draw all the different type of line:

Draw the counterweight as a sectional view:

Draw the thumb screw in isometric:

Drawing Knowledge Organiser

Draw the shade in isometric:

Draw the support bracket in orthographic:

Draw the counterweight in isometric:

Draw the locating guide in orthographic:

WJEC ENGINEERING